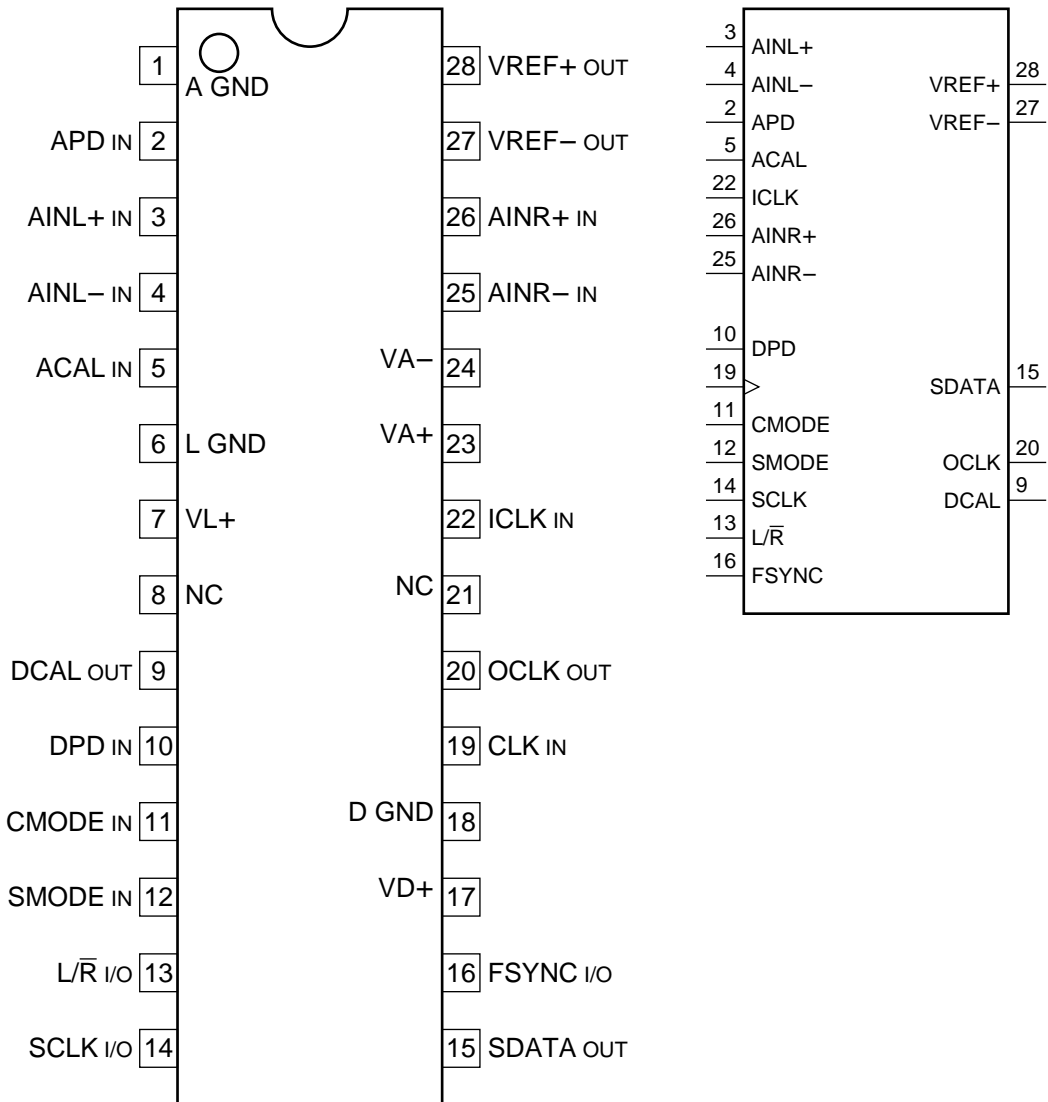


## 18-BIT STEREO A-D CONVERTER

—TOP VIEW—



**INPUT**

ACAL ; ANALOG CALIBRATION  
(H : AGND)  
(L : ANALOG SIGNAL INPUT = AINL, AINR)

AINL + ; CAHNNEL L ANALOG POSITIVE INPUT  
AINL - ; CAHNNEL L ANALOG NEGATIVE INPUT  
AINR + ; CAHNNEL R ANALOG POSITIVE INPUT  
AINR - ; CAHNNEL R ANALOG NEGATIVE INPUT

APD ; POWER DOWN FOR ANALOG SECTION

CLK ; MASTER CLOCK  
(CMODE = H : 384fs)  
(CMODE = L : 256fs)

CMODE ; MASTER CLOCK SELECT  
(L : CLK = 256fs, 12.288 MHz @fs = 48 KHz)  
(H : CLK = 384fs, 18.432 MHz @fs = 48 KHz)

DPD ; POWER DOWN FOR DIGITAL SECTION

ICLK ; 128fs CLOCK

SMODE ; INTERFACE CLOCK SELECT  
(L : SUB MODE)  
(H : MASTER MODE)

**OUTPUT**

DCAL ; DIGITAL CALIBRATION

OCLK ; 128fs CLOCK

SDATA ; SERIAL DATA

VREF + ; REFERENCE POSITIVE VOLTAGE (+3.68 V)  
VREF - ; REFERENCE NEGATIVE VOLTAGE (-3.68 V)

**INPUT/OUTPUT**

FSYNC ; FRAME SYNC CLOCK

L/R ; INPUT CAHNNEL SELECT  
(SUB MODE : fs CLK INPUT)  
(MASTER MODE : fs CLK OUTPUT)

SCLK ; SERIAL DATA CLOCK  
(SUB MODE : 64fs CLK INPUT)  
(MASTER MODE : 64fs CLK OUTPUT)

